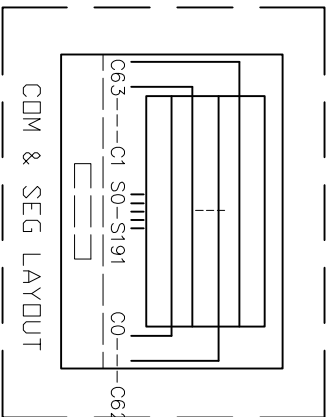
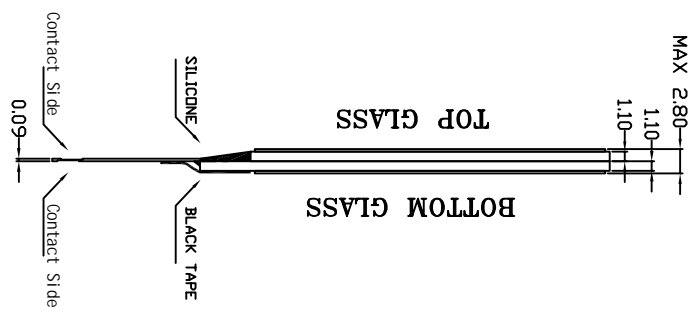
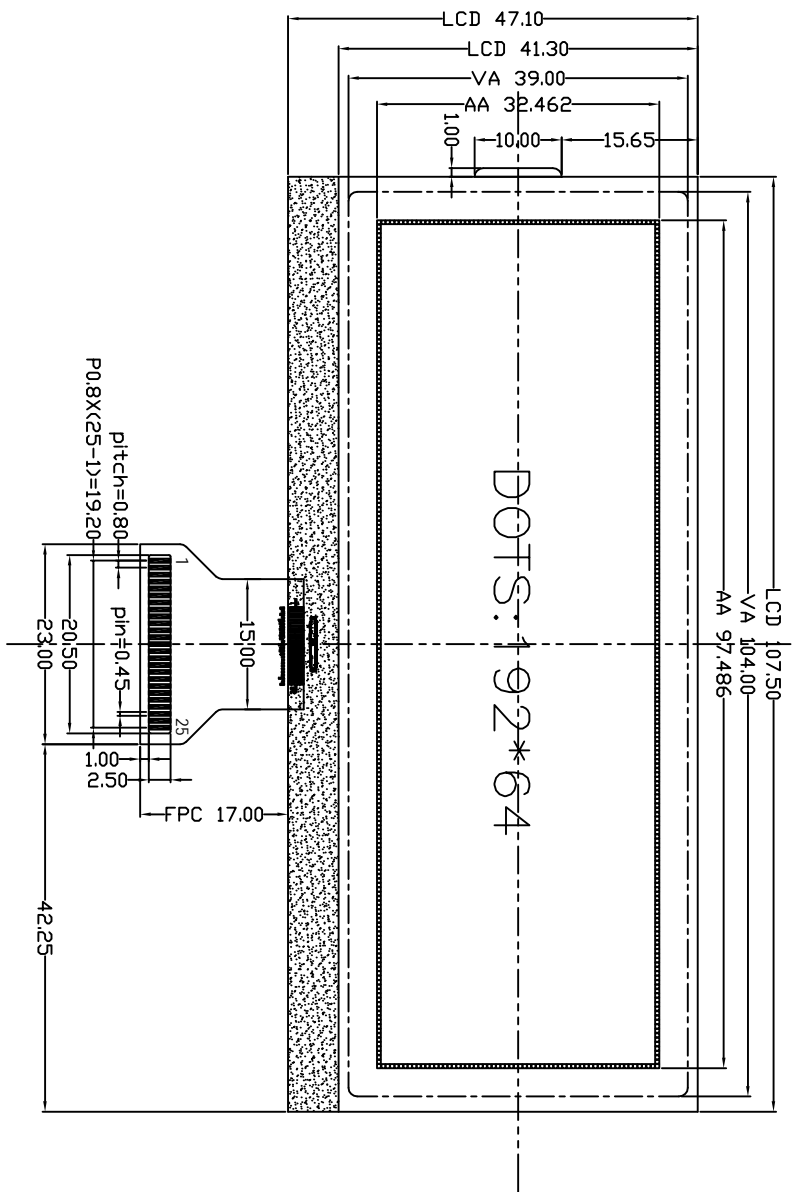


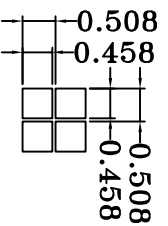
VER	DETAIL DESCRIPTION	DATE
△	The First Ammendment	2015-04-11

客户确认签名/
Customer signature



CNT	PLN ASSIGNMENT:	Example: e: 6800 Interface
1	ESD	
2	VG	
3	XV0	
4	V0	
5	VDD	
6	VDD	
7	VSS	
8	VSS	
9	BM2	
10	BM1	
11	BM0	
12	CS0	
13	A0	
14	ERD	
15	RWR	
16	RST	
17	D0	
18	D1	
19	D2	
20	D3	
21	D4	
22	D5	
23	D6	
24	D7	
25	ESD	

ITEM	PARAMETERS	ITEM	PARAMETERS
OPERATING VOLTAGE	0V	OPERATING TEMP	-20°C ? 70°C
OPERATING CURRENT	50mA	STORAGE TEMP	-30°C ? 80°C
LCD DRIVE VOLTAGE	2.0V	BACKLIGHT	WITHOUT
DISPLAY MODE	STN Blue Negative Transmissive	CONNECTOR STANDARD	YES <input type="checkbox"/> NO <input type="checkbox"/>
LCD DRIVE METHOD	DUTY?1/64; BIAS?1/9	CONNECTOR TYPE	FPC
Driver/Controller	ST7525	OTHER	--
VIEW DIRECTION	6:00 O'CLOCK		



名称	FIG.工程图
编号	WYM19264K3
版本	1.0
绘图	PGY
审批	YXS
日期	2015-04-11